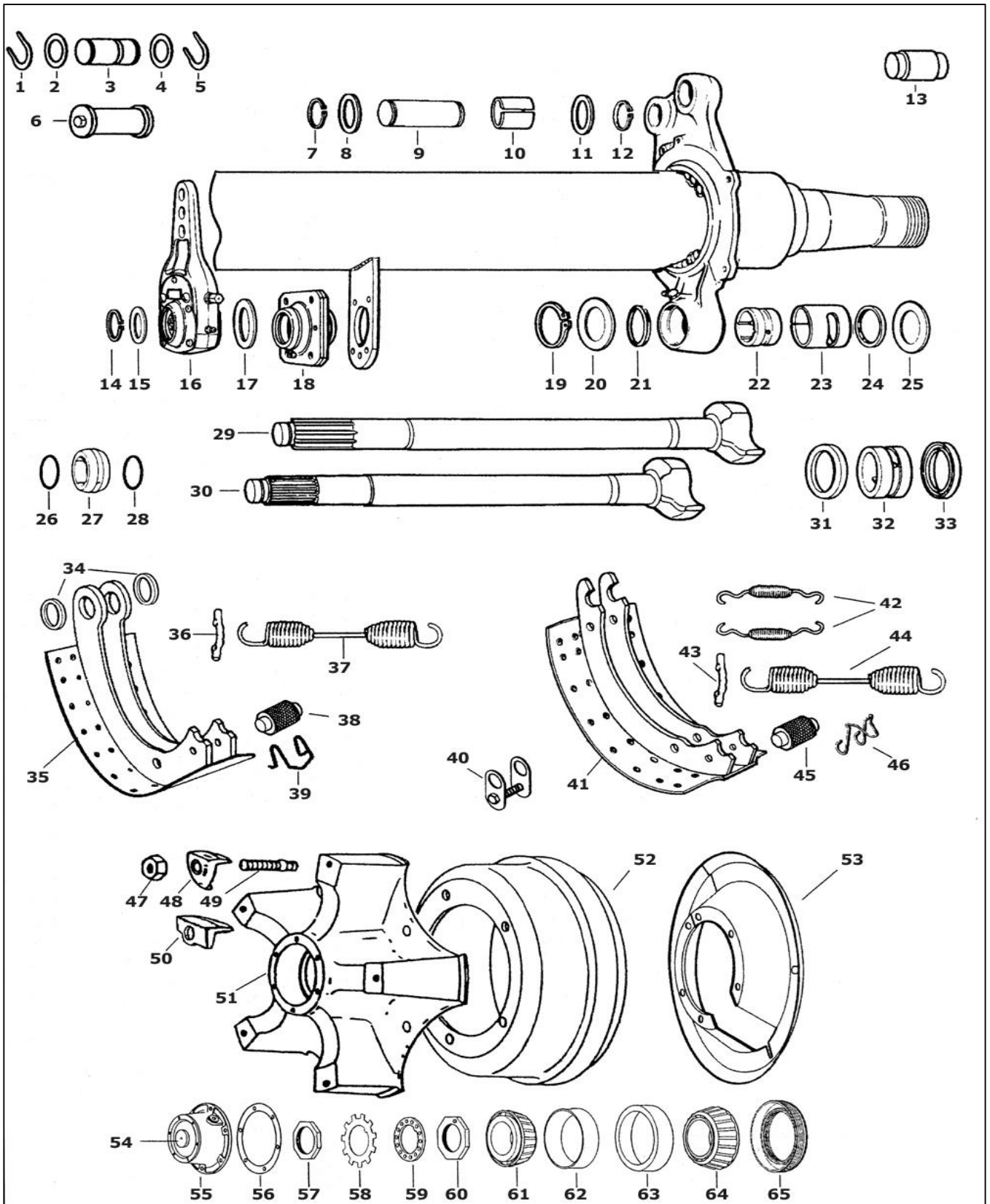


Rockwell ARN, ATN (10 Spline S Cam)
Rockwell 4000 - 6000 (28 Spline S Cam)
Australian Tanner ATN Axles
16-1/2" x 7" Brakes



Rockwell ARN, ATN (10 Spline S Cam)
Rockwell 4000 - 6000 (28 Spline S Cam)
Australian Tanner ATN Axles
16-1/2" x 7" Brakes



Rockwell ARN, ATN (10 Spline S Cam)

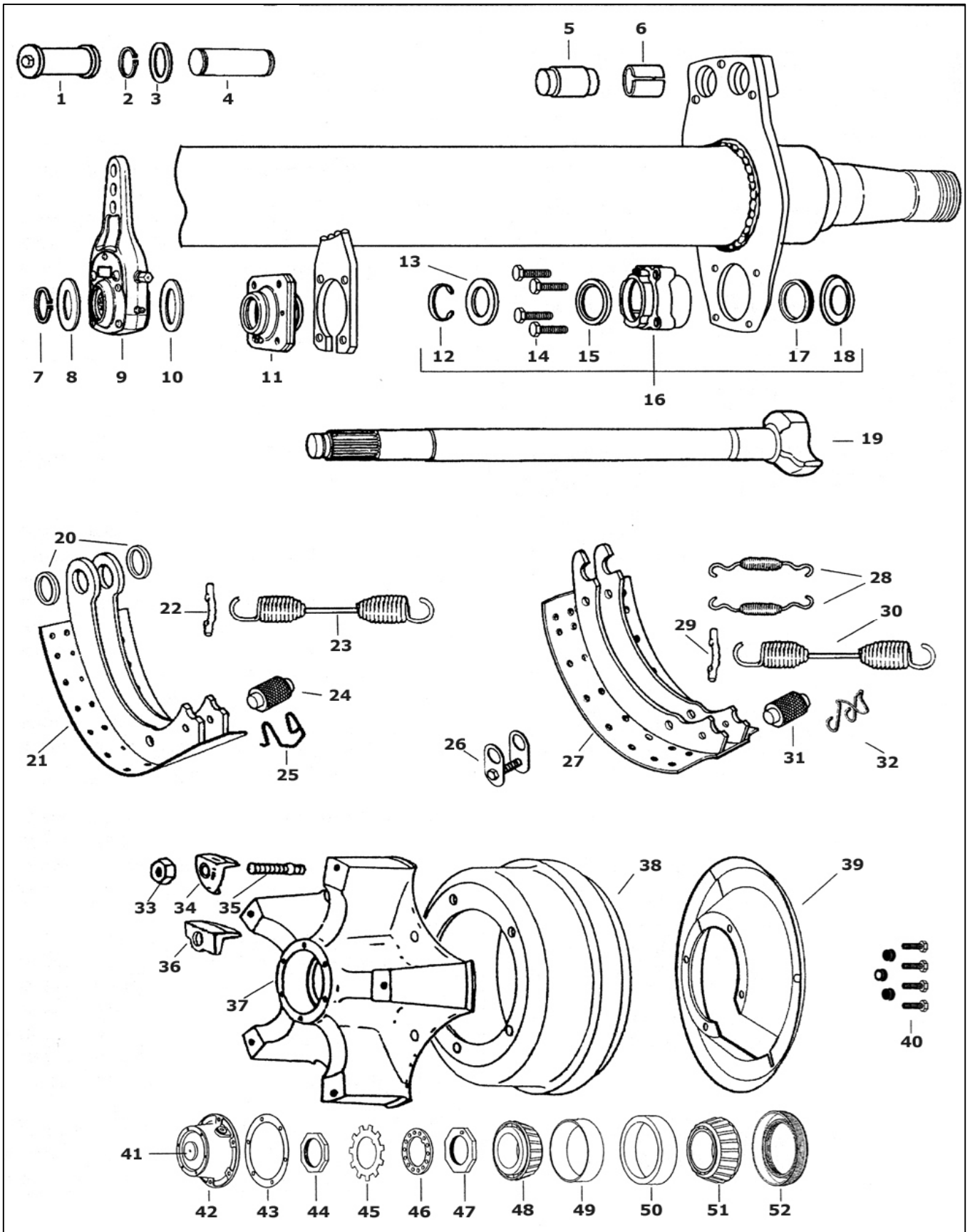
Rockwell 4000 - 6000 (28 Spline S Cam)

Australian Tanner ATN Axle

16-1/2" x 7" Brake

Item:	Part No:	Description:	Item:	Part No:	Description:
1	FP34.1525	CIRCLIP	53	FP33.1476A	DUST SHIELD
2	FP35.1580	WASHER	54	ZST359-5990	HUB CAP PLUG
3	FP15.527	ANCHOR PIN	55	ZST343-4009	HUB CAP
4	FP35.1580	WASHER	56	ZST330-3067	HUB CAP GASKET
5	FP34.1525	CIRCLIP	57	FP12.393	OUTER LOCK NUT
6A	FP3200	ANCHOR PIN SHORT 2-1/4"	58	FP12.394	LOCK TAB WASHER
6B	FP3304	ANCHOR PIN LONG 2-13/16"	59	FP12.392	LOCK WASHER
7	FP34.1525	CIRCLIP	60	FP12.391	NUT AXLE INNER GP
8	FP35.1580	WASHER	61	TMHM212049	OUTER CONE
9	FP15.527	ANCHOR PIN	62	TMHM212011	OUTER CUP
10	FP3207B	ANCHOR PIN BUSH	63	TMHM218210	INNER CUP
11	FP35.1580	WASHER	64	TMHM218248	INNER CONE
12	FP34.1525	CIRCLIP	65	SEE TABLE	HUB SEAL
13	FP15.542	ANCHOR PIN Q ROCKWELL			
14	FP34.1525	CIRCLIP			
15	FP35.1580	WASHER			ITEM 38 & 45
16A	FP5020	SLACK ADJUSTER 1-1/2" X 10 SPLINE		FP32.1425	CAM ROLLER SMOOTH STD
16B	FP5025	SLACK ADJUSTER 1-1/2" X 28 SPLINE		FP32.1426	CAM ROLLER SMOOTH 1/8" OS
17	FP29.1309	WASHER		FP32.1427	CAM ROLLER SMOOTH 1/4" OS
18	FP30.1358	BRACKET CAM SUPPORT ASSY		FP32.1428	CAM ROLLER KNURLED STD
19	FP29.1302	CIRCLIP		FP32.1428A	CAM ROLLER KNURLED 1/8" OS
20	FP29.1312	WASHER		FP32.1428B	CAM ROLLER KNURLED 1/4" OS
21	FP29.1275	O RING			
22	FP28.1241	OUTER CAM BUSH			
23	FP28.1240	OUTER CAM BUSH			ITEM 65
24	FP29.1274	SEAL		FP755400	BARRIER SEAL
25	FP29.1312	WASHER		ZCR46305	CR SEAL
26	FP27.1208	O RING		ZST307-0743	STEMCO SEAL
27	FP27.1197	BUSH			
28	FP27.1208	O RING			
29A	FP2011	CAMSHAFT LH 20-15/32" 10 SPLINE			CAMSHAFT KITS
29B	FP2012	CAMSHAFT RH 20-15/32" 10 SPLINE		FP3111	CAMSHAFT WASHER KIT
30A	FP2027	CAMSHAFT LH 20-15/32" 28 SPLINE		FP43.7037	CAMSHAFT BUSH KIT
30B	FP2028	CAMSHAFT RH 20-15/32" 28 SPLINE			
31	FP29.1274	SEAL			
32	FP28.1238	CAM BUSH			BRAKE SHOE HARDWARE KIT
33	FP29.1274	SEAL		FP3332	BRAKE KIT SMOOTH ROLLER P TYPE
34	FP3302	SUPPORT WASHER		FP3332ES	BRAKE KIT SMOOTH ROLLER P TYPE
35	FP21.889	BRAKE SHOE U/LINED GP		FP3332K	BRAKE KIT KNURLED ROLLER P TYPE
36	FP20.881	SPRING RETAINER		FP3332KES	BRAKE KIT KNURLED ROLLER P TYPE
37	FP19.853	H/D RETURN SPRING		FP3333	BRAKE KIT SMOOTH ROLLER Q TYPE
38	SEE TABLE	ROLLER, CAM		FP3333HD	BRAKE KIT SMOOTH ROLLER Q TYPE
39	FP34.1529	RETAINER		FP3333HDK	BRAKE KIT KNURLED ROLLER Q TYPE
40	FP3415	RETAINER KIT		FP3333K	BRAKE KIT KNURLED ROLLER Q TYPE
41	FP21.898	BRAKE SHOE U/LINED		FP3333LS	BRAKE KIT SMOOTH ROLLER Q TYPE
42	FP19.860	RETURN SPRING			
43	FP20.881	SPRING RETAINER			
44	FP19.856	H/D RETURN SPRING			
45	SEE TABLE	ROLLER, CAM			
46	FP32.1532	RETAINER			
47	FP6002	WHEEL NUT 3/4"			
48	FPTF60	WHEEL CLAMP			
49	FP6001	WHEEL STUD 3/4"			
50	FPTF62	CLAMP MALCO TYPE			
51A	ZTFST301	HUB ASSY GP			
51B	ZTFST315	HUB ASSY MALCO TYPE			
51C	NLA	HUB ASSY ROCKWELL TYPE			
52A	ZTFDM185	BRAKE DRUM			
52B	ZTFDT189	BRAKE DRUM ROCKWELL TYPE			

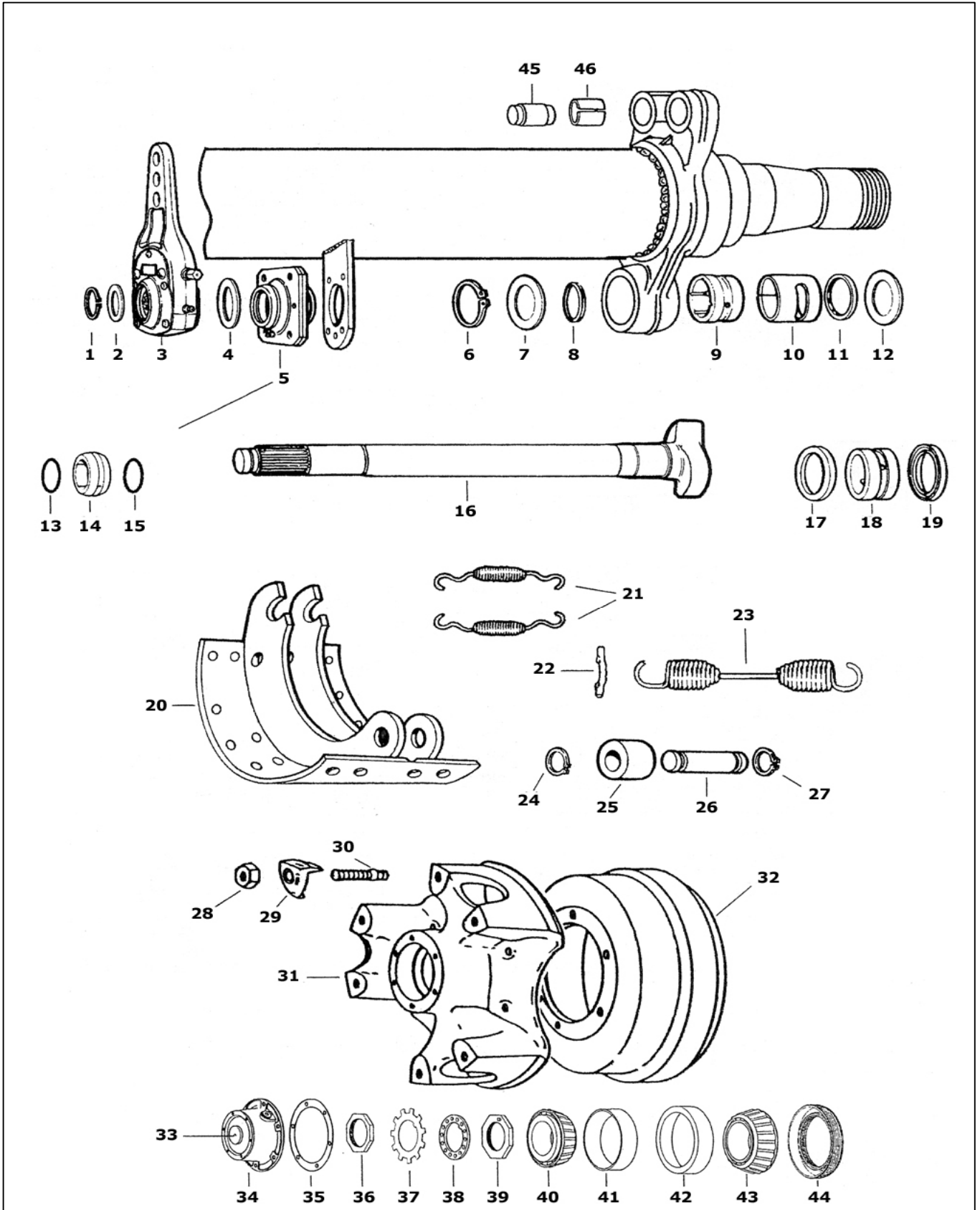
Rockwell Meritor TN, TQ Axles
16-1/2" x 7" Brakes (Fabricated Brake Spider)



Rockwell Meritor TN, TQ Axles 16-1/2" x 7" Brakes (Fabricated Brake Spiders)

Item:	Part No:	Description:	Item:	Part No:	Description:
1A	FP3200	ANCHOR PIN SHORT 2-1/4"	51	TMHM218248	INNER CONE
1B	FP3304	ANCHOR PIN LONG 2-13/16"	52	SEE TABLE	HUB SEAL
2	FP34.1525	CIRCLIP			
3	FP35.1580	WASHER			
4	FP15.527	P BRAKE ANCHOR PIN	ITEM 24 & 31		
5	FP15.542	Q BRAKE ANCHOR PIN		FP32.1425	CAM ROLLER SMOOTH STD
6	FP3207B	ANCHOR PIN BUSH		FP32.1426	CAM ROLLER SMOOTH 1/8" OS
7*	FP34.1525	CIRCLIP		FP32.1427	CAM ROLLER SMOOTH 1/4" OS
8*	FP35.1580	WASHER		FP32.1428	CAM ROLLER KNURLED STD
9*	FP5025	SLACK ADJUSTER 1-1/2" X 28 SPLINE		FP32.1428A	CAM ROLLER KNURLED 1/8" OS
10*	FP29.1308	WASHER		FP32.1428B	CAM ROLLER KNURLED 1/4" OS
11*	FP30.1358	BRACKET & BUSH ASSY			
12*	FP29.1302	CIRCLIP			
13*	FP29.1308	CIRCLIP	ITEM 52		
14*	NA	BOLT 1-1/2 X 3/8" 16TPI		FP755400	BARRIER SEAL
15*	FP29.1274	CAMSHAFT SEAL		ZCR46305	CR SEAL
16*	SEE KIT	OUTER BUSH ASSY		ZST307-0743	STEMCO SEAL
17*	FP29.1274	CAMSHAFT SEAL			
18	FP29.1319	WASHER	CAMSHAFT KITS		
19A	FP2027	CAMSHAFT LH 20-15/32" 28 SPLINE	* AME-6078	CAMSHAFT BUSH KIT (REKITAXL140)	
19B	FP2028	CAMSHAFT RH 20-15/32" 28 SPLINE	* FP3110	CAMSHAFT WASHER KIT	
19C	RE2210V8160	CAMSHAFT LH 24-1/16" 28 SPLINE			
19D	RE2210U8159	CAMSHAFT RH 24-1/16" 28 SPLINE			
20	FP3302	WASHER			
21	FP21.889	BRAKE SHOE			
22	FP20.881	PIN RETURN SPRING			
23	FP19.853	RETURN SPRING	BRAKE SHOE HARDWARE KIT		
24	FP32.1425	CAM ROLLER STD		FP3332	BRAKE KIT SMOOTH ROLLER P TYPE
25	FP34.1529	RETAINER		FP3332ES	BRAKE KIT SMOOTH ROLLER P TYPE
26	FP3415	RETAINER KIT		FP3332K	BRAKE KIT KNURLED ROLLER P TYPE
27	FP21.898	BRAKE SHOE		FP3332KES	BRAKE KIT KNURLED ROLLER P TYPE
28	FP19.860	RETURN SPRING		FP3333	BRAKE KIT SMOOTH ROLLER Q TYPE
29	FP20.881	PIN RETURN SPRING		FP3333HD	BRAKE KIT SMOOTH ROLLER Q TYPE
30	FP19.856	RETURN SPRING		FP3333HDK	BRAKE KIT KNURLED ROLLER Q TYPE
31	FP32.1425	CAM ROLLER		FP3333K	BRAKE KIT KNURLED ROLLER Q TYPE
32	FP34.1532	RETAINER		FP3333LS	BRAKE KIT SMOOTH ROLLER Q TYPE
33	FP6002	WHEEL NUT 3/4"			
34	FPTF60	WHEEL CLAMP			
35	FP6001	WHEEL STUD 3/4"			
36	FPTF62	WHEEL CLAMP MALCO TYPE			
37	ZTFST301	HUB ASSY			
37A	ZTFST315	HUB ASSY MALCO TYPE			
38	ZTFDM185	BRAKE DRUM			
39	FP33.1476A	DUST COVER			
40	N/A	BOLT			
41	ZST359-5990	HUB CAP PLUG			
42	ZST343-4009	HUB CAP			
43	ZST330-3067	HUB CAP GASKET			
44	FP12.393	NUT OUTER			
45	FP12.394	LOCK WASHER			
46	FP12.392	LOCK WASHER AXLE			
47	FP12.391	NUT AXLE INNER GP			
48	TMHM212049	OUTER CONE			
49	TMHM212011	OUTER CUP			
50	TMHM218210	INNER CUP			

Rockwell TN Low Loader Axle 12-1/4" x 7-1/2" Q Brakes



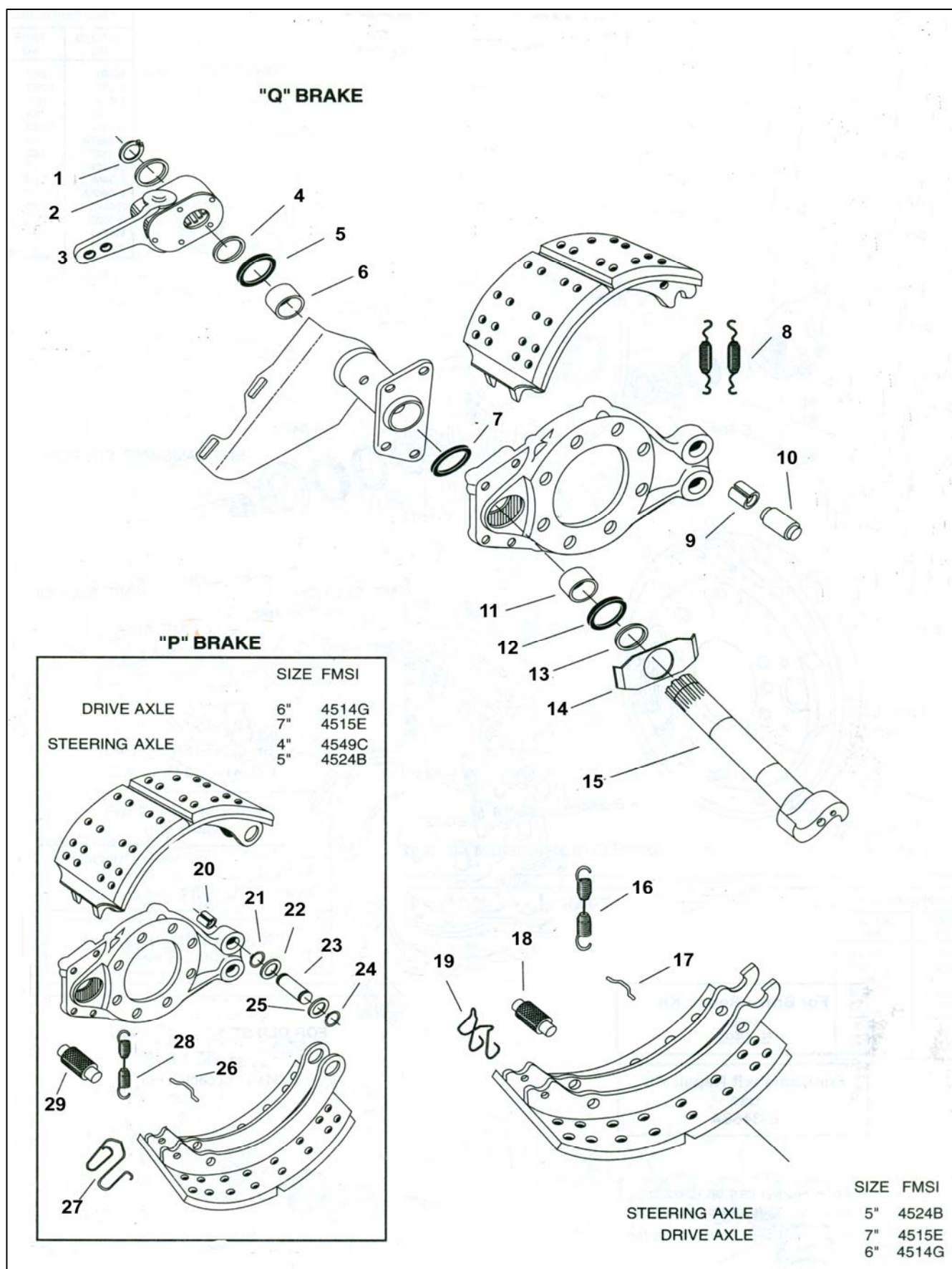
Rockwell TN Low Loader Axle 12-1/4" x 7-1/2" Q Brakes

Item:	Part No:	Description:	Item:	Part No:	Description:
1	FP34.1525	CIRCLIP			
2	FP35.1580	WASHER			
3	FP5028	SLACK ADJUSTER CURVED ARM			
4	FP29.1309	WASHER			ITEM 44
5	FP30.1358	BRACKET & BUSH ASSY		FP755400	BARRIER SEAL
6	FP29.1302	CIRCLIP		ZCR46305	CR SEAL
7	FP29.1312	WASHER		ZST307-0743	STEMCO SEAL
8	FP29.1275	O RING			
9	FP28.1241	INNER CAM BUSH			CAMSHAFT KITS
10	FP28.1240	OUTER CAM BUSH		FP3110	CAMSHAFT WASHER KIT
11	FP29.1274	SEAL		FP43.7037	CAMSHAFT BUSH KIT
12	FP29.1312	WASHER			
13	FP27.1208	O RING			
14	FP27.1197	INNER CAM BUSH			
15	FP27.1208	O RING			
16A	ZWT2029	CAMSHAFT LH 20-5/16" 10 SPLINE			
16B	ZWT2030	CAMSHAFT RH 20-5/16" 10 SPLINE			
17	FP29.1274	SEAL			
18	FP28.1238	CAM BUSH (1 PIECE TYPE BUSH)			
19	FP29.1274	SEAL			
20A	REA3222S1527	BARE SHOE			
20B	BX4670	LINING			
21	FP19.860	RETURN SPRING			
22	FP20.881	PIN			
23	FP19.862	RETURN SPRING			
24	FP34.1526	CIRCLIP			
25	RE2297C5021	ROLLER (32.1467)			
26	RE1246F1020	PIN (32.1468)			
27	FP34.1526	CIRCLIP			
28	FP6002	WHEEL NUT 3/4"			
29	FPTF60	WHEEL CLAMP			
30	FP6001	WHEEL STUD 3/4"			
31	ZTFST303	HUB ASSY			
32	ZTFDT108A	BRAKE DRUM			
33	ZST359-5990	HUB CAP PLUG			
34	ZST343-4009	HUB CAP			
35	ZST330-3067	HUB CAP GASKET			
36	FP12.393	OUTER LOCK NUT			
37	FP12.394	LOCK TAB WASHER			
38	FP12.392	LOCK WASHER			
39	FP12.391	INNER NUT			
40	TMHM212049	OUTER CONE			
41	TMHM212011	OUTER CUP			
42	TMHM218210	INNER CUP			
43	TMHM218248	INNER CONE			
44	SEE TABLE	HUB SEAL			

**Rockwell TN Low Loader Axle
12-1/4" x 7-1/2" Q Brakes**



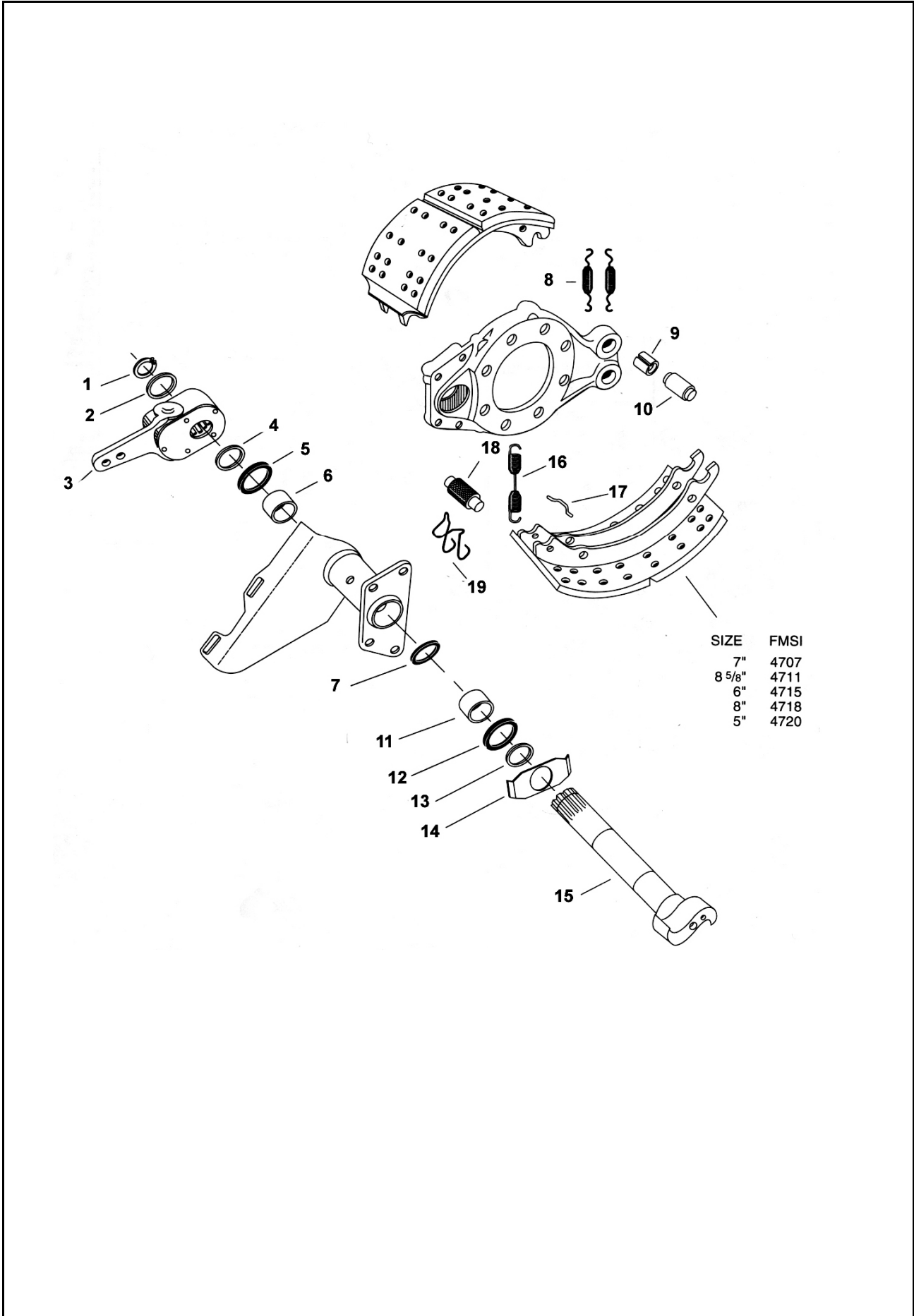
Rockwell Meritor 16-1/2" "P" and "Q" Drive and Steer Axle Brake



Rockwell Meritor 16-1/2" "P" and "Q" Drive and Steer Axle Brake

Item:	Part No:	Description:	Item:	Part No:	Description:
1	FP29.1301	CIRCLIP 1-5/32" X 3/32"			
2	FP29.1307	WASHER 2-1/4" X 1-17/32" X 1/16"			
3	Refer Section 3	SLACK ADJUSTER			
4	FP29.1307	WASHER 2-1/4" X 1-17/32" X 1/16"			
5	FP29.1270	INNER CAMSHAFT SEAL			
6	FP28.1233	INNER CAMSHAFT BUSH			
					ITEM 18 & 29
7	FP27.1203	CAMSHAFT SEAL		FP32.1425	CAM ROLLER SMOOTH STD
8	FP19.860	RETAINER SPRINGS 5-1/2" X 3/4"		FP32.1426	CAM ROLLER SMOOTH 1/8" OS
9A	FP16.563	ANCHOR PIN BUSH		FP32.1427	CAM ROLLER SMOOTH 1/4" OS
9B	FP3207B	ANCHOR PIN BUSH BI-METAL		FP32.1428	CAM ROLLER KNURLED STD
10	FP15.542	ANCHOR PIN		FP32.1428A	CAM ROLLER KNURLED 1/8" OS
11	FP28.1233	OUTER CAMSHAFT BUSH		FP32.1428B	CAM ROLLER KNURLED 1/4" OS
12	FP29.1270	OUTER CAMSHAFT SEAL			
13	FP29.1307	WASHER 2-1/4" X 1-17/32" X 1/16"			
14	RE1229N2250	D WASHER			
15	Refer Section 4	CAMSHAFT			
16A	FP19.853	RETURN SPRING			CAMSHAFT KITS
16B	FP19.856	HEAVY DUTY RETURN SPRING		FP3108	P BRAKE CIRCLIP AND WASHER KIT
17	FP20.881	PIN RETURN SPRING		FP43.7034	P BRAKE CAMSHFT REPAIR KIT
18	SEE TABLE	ROLLER CAMSHAFT		FP8015	Q BRAKE CIRCLIP AND WASHER KIT
19A	FP34.1532	ROLLER RETAINER Q & Q PLUS		FP8042	Q BRAKE CAMSHAFT REPAIR KIT
19B	FP34.1529	ROLLER RETAINER GP			
20A	FP16.563	ANCHOR PIN BUSH			
20B	FP3207B	ANCHOR PIN BUSH BI-METAL			
21*	FP34.1525	CIRCLIP 1-1/8"			
22	FP35.1580	WASHER 1-7/8" X 1-17/64" X 1/16"			BRAKE SHOE HARDWARE KIT
23A	FP3200	ANCHOR PIN BOLT ON STD		FP3332	BRAKE KIT SMOOTH ROLLER P TYPE
23B	FP3304	ANCHOR PIN BOLT ON LONG		FP3332ES	BRAKE KIT SMOOTH ROLLER P TYPE
24*	FP34.1525	CIRCLIP 1-1/8"		FP3332K	BRAKE KIT KNURLED ROLLER P TYPE
25	FP35.1580	WASHER 1-7/8" X 1-17/64" X 1/16"		FP3332KES	BRAKE KIT KNURLED ROLLER P TYPE
26	FP20.881	PIN RETURN SPRING		FP3333	BRAKE KIT SMOOTH ROLLER Q TYPE
27	FP34.1529	ROLLER RETAINER GP		FP3333HD	BRAKE KIT SMOOTH ROLLER Q TYPE
28	FP19.853	RETURN SPRING		FP3333HDK	BRAKE KIT KNURLED ROLLER Q TYPE
29	SEE TABLE	ROLLER CAMSHAFT		FP3333K	BRAKE KIT KNURLED ROLLER Q TYPE
				FP3333LS	BRAKE KIT SMOOTH ROLLER Q TYPE
*	ITEMS 21 AND 24 NOT USED WITH BOLT ON TYPE ANCHOR PINS				

Rockwell Meritor 16-1/2" "Q Plus" Brake



Rockwell Meritor 16-1/2" "Q Plus" Brake

Item:	Part No:	Description:	Item:	Part No:	Description:
1	FP29.1301	CIRCLIP 1-5/32" X 3/32"			
2	FP29.1307	WASHER 2-1/4" X 1-17/32" X 1/16"			
3	Refer Section 3	SLACK ADJUSTER			
4	FP29.1307	WASHER 2-1/4" X 1-17/32" X 1/16"			
5	FP29.1270	INNER CAMSHAFT SEAL			
6	FP28.1233	INNER CAMSHAFT BUSH	ITEM 18 & 29		
7	FP27.1203	CAMSHAFT SEAL		FP32.1425	CAM ROLLER SMOOTH STD
8	FP19.860	RETAINER SPRINGS 5-1/2" X 3/4"		FP32.1426	CAM ROLLER SMOOTH 1/8" OS
9A	FP16.563	ANCHOR PIN BUSH		FP32.1427	CAM ROLLER SMOOTH 1/4" OS
9B	FP3207B	ANCHOR PIN BUSH BI-METAL		FP32.1428	CAM ROLLER KNURLED STD
10	FP15.542	ANCHOR PIN		FP32.1428A	CAM ROLLER KNURLED 1/8" OS
11	FP28.1233	OUTER CAMSHAFT BUSH		FP32.1428B	CAM ROLLER KNURLED 1/4" OS
12	FP29.1270	OUTER CAMSHAFT SEAL			
13	FP29.1307	WASHER 2-1/4" X 1-17/32" X 1/16"			
14	RE1229N2250	D WASHER			
15	Refer Section 4	CAMSHAFT	BRAKE SHOE HARDWARE KIT		
16	FP19.856	HEAVY DUTY RETURN SPRING		FP3333	BRAKE KIT SMOOTH ROLLER Q TYPE
17	FP20.881	PIN RETURN SPRING		FP3333HD	BRAKE KIT SMOOTH ROLLER Q TYPE
18	SEE TABLE	ROLLER CAMSHAFT		FP3333HDK	BRAKE KIT KNURLED ROLLER Q TYPE
19	FP34.1532	ROLLER RETAINER Q & Q PLUS		FP3333K	BRAKE KIT KNURLED ROLLER Q TYPE
				FP3333LS	BRAKE KIT SMOOTH ROLLER Q TYPE
				FP3333LS	BRAKE KIT SMOOTH ROLLER Q TYPE
CAMSHAFT KITS					
				FP8015	Q BRAKE CIRCLIP AND WASHER KIT
				FP8042	Q BRAKE CAMSHAFT REPAIR KIT